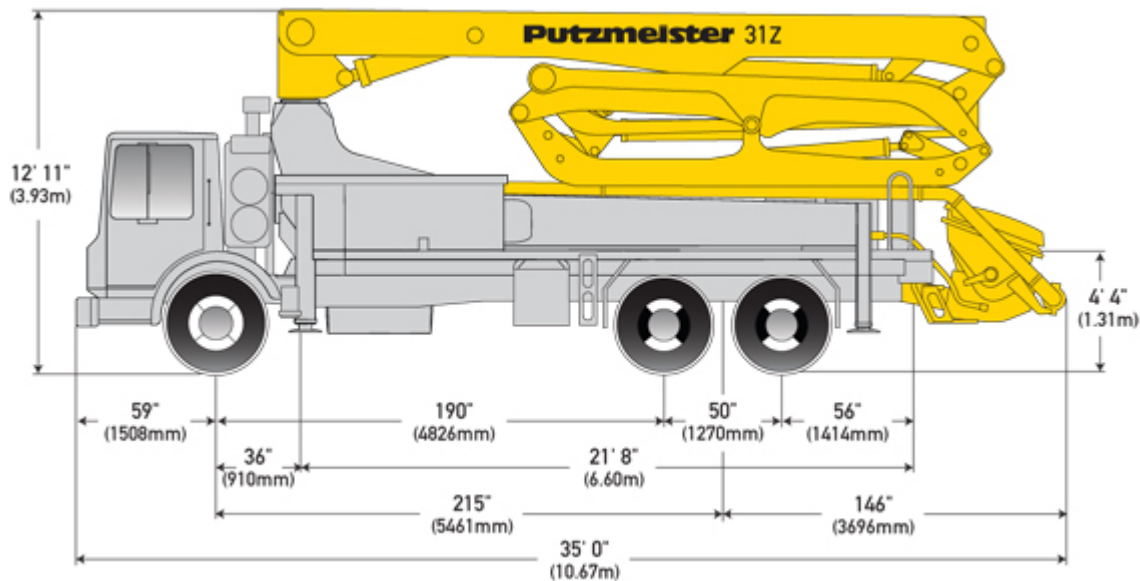


BRUNDAGE-BONE & BLANCHET, LLC

31Z Specifications



Based on Model MACK MRU 613 with .16H pump cell

Length	35' 0" (10.67m)
Width	8' 2" (2.50m)
Height	12' 11" (3.93m)
Wheelbase	215" (5,461mm)
Front axle weight	19,600 lbs (8,900kg)
Rear axle weight	37,800 lbs (17,100kg)
Approx total weight	57,400 lbs (26,000kg)

Boom Style

Boom Style	Z-Fold
Number of sections	5

Height & Reach

Vertical reach	100' 1" (30.51m)
Horizontal reach	87' 3" (26.60m)

Reach from front of truck*	79' 9" (24.30m)
Reach depth	66' 11" (20.40m)
Unfolding height	18' 8" (5.70m)
Boom Section Articulation	
1st section articulation	98°
2nd section articulation	180°
3rd section articulation	250°
4th section articulation	246°
5th section articulation	251°
Boom Section Length	
1st section length	24' 7" (7.50m)
2nd section length	16' 9" (5.10m)
3rd section length	16' 5" (5.00m)
4th section length	15' 9" (4.80m)
5th section length	13'9" (4.20m)
Outriggers	
Outrigger spread: L-R-front hydraulically extend out & down	20' 8" (6.30m)
Outrigger spread: L-R-rear hydraulically swing out & extend down	20' 8" (6.30m)
Outrigger load: Front	41,590 lbf (185 kN)
Outrigger load: Rear	40,465 lbf (180 kN)

All specifications apply to units mounted on PMA stock truck - MACK MRU 613 with .16H pump cell. Weights are approximate and include pump, boom, truck, driver and some fuel. Varies with options selected.

Dimensions will vary with different truck makes, models and specifications. Maximum theoretical values listed.