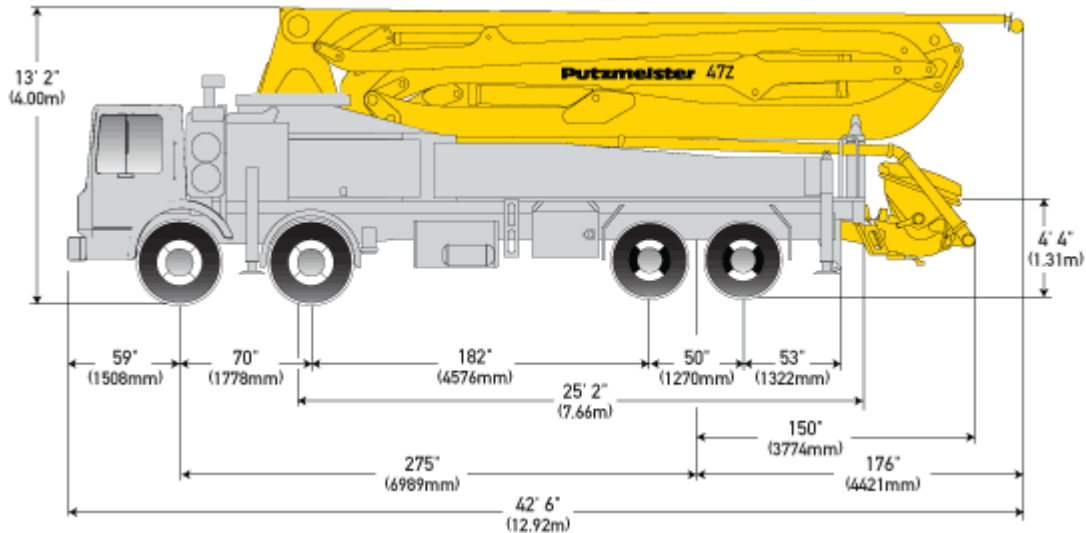


BRUNDAGE-BONE & BLANCHET, LLC

47Z Specifications



Based on Model MACK MRU 613 with .16H pump cell

Length	42' 6" (12.92m)
Width	8' 2" (2.50m)
Height	13' 2" (4.00m)
Wheelbase	275" (6,989mm)
Front axle weight	34,500 lbs (15,600kg)
Rear axle weight	43,600 lbs (19,800kg)
Approx total weight	78,100 lbs (35,400kg)

Boom Style

Boom Style	Z-Fold
Number of sections	5

Height & Reach

Vertical reach	151' 3" (46.10m)
Horizontal reach	138' 1" (42.09m)

Reach from front of truck*	128' 2" (39.07m)
Reach depth	105' 8" (32.21m)
Unfolding height	31' 2" (9.50m)
Boom Section Articulation	
1st section articulation	91°
2nd section articulation	181°
3rd section articulation	180°
4th section articulation	245°
5th section articulation	234°
Boom Section Length	
1st section length	29' 2" (8.89m)
2nd section length	25' 11" (7.90m)
3rd section length	24' 7" (7.49m)
4th section length	27' 3" (8.31m)
5th section length	31' 2" (9.50m)
Outriggers	
Outrigger spread: L-R-front hydraulically extend out & down	26' 1" (7.95m)
Outrigger spread: L-R-rear hydraulically swing out & extend down	29' 6" (8.99m)
Outrigger load: Front	60,698 lbf (270 kN)
Outrigger load: Rear	59,574 lbf (265 kN)
One-Sided Support (OSS) Outriggers	
Safe operational zone	120°
Outrigger spread: L-R-front hydraulically extend out down	17' 3" (5.26m)
Outrigger spread: L-R-rear hydraulically swing out & extend down	22' 2" (6.76m)

All specifications apply to units mounted on PMA stock truck - MACK MRU 613 with .16H pump cell. Weights are approximate and include pump, boom, truck, driver and some fuel. Varies with options selected.

Dimensions will vary with different truck makes, models and specifications. Maximum theoretical values listed.