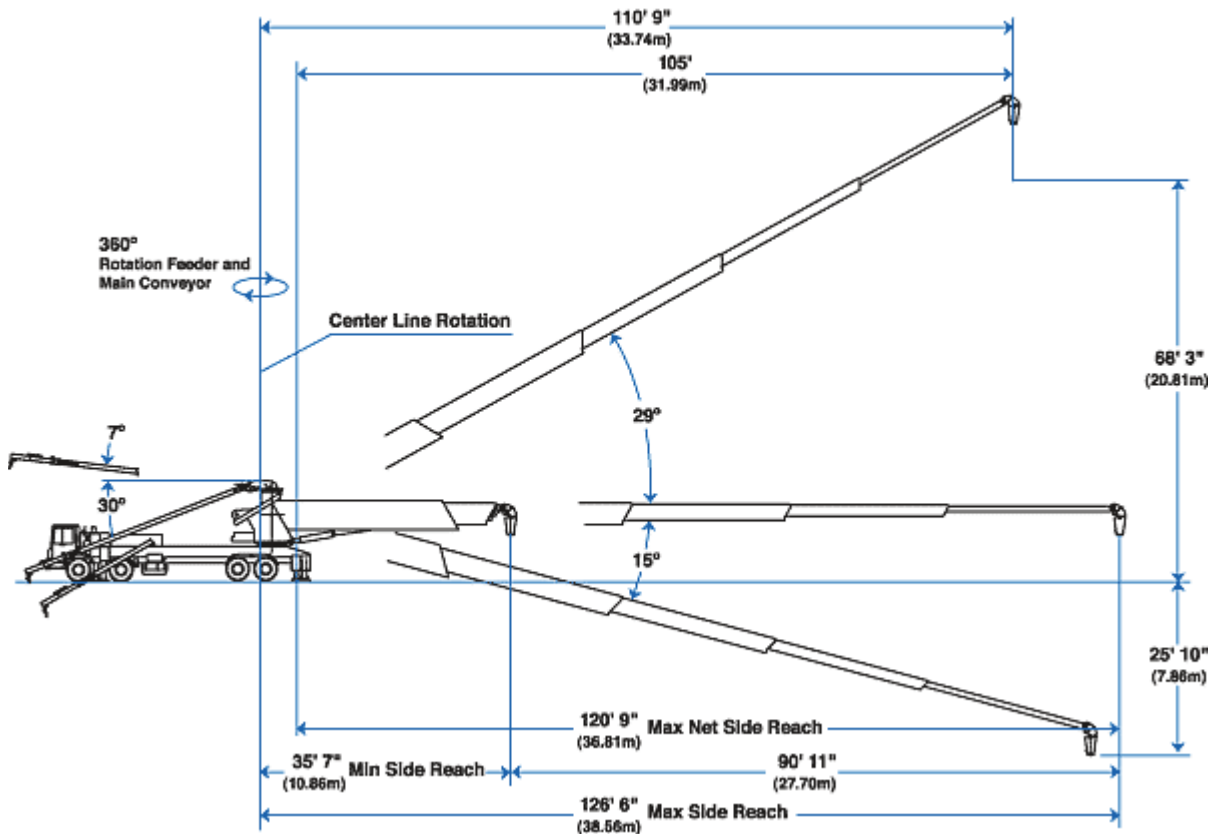


# BLANCHET CONCRETE PUMPING<sup>LLC</sup>

## Putzmeister TB 130 Telebelt

### Boom Reach



Offering a 126' 6" (38.56m) horizontal reach, the TB 130 features a five-section boom and a fully hydraulic conveyor capable of handling concrete slumps from 0" to 12" (0mm to 305mm) and materials from sand to 4" (100mm) rock. Strong yet lightweight and easy to control, the unit features quick setup using its patented outrigger design. The TB 130 also operates in ceiling heights as low as 15' 4" (4.70m).